

The Optional Harness is not included with SBC iD

# **SBC i-D**

## **SEQUENTIAL BOOST CONTROLLER I-D**

"BLITZ" means advanced car performance. Improve every motor performance parameter with BLITZ.  
Established in 1980, BLITZ has revolutionized the automotive industry.

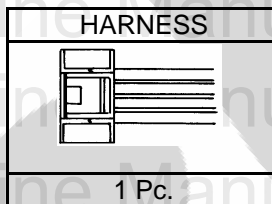
### Optional Harness Installation Manual

The optional harness converts voltage signal from the factory ECU and converts it to a numerical value to be displayed on the SBC I-D. Prior to installation, please read and understand this manual completely.

#### **IMPORTANT**

- Please have this harness installed by a qualified technician.
- The factory service manual is REQUIRED for proper installation of this unit.
- Please pay attention and tap the correct wire. If the wrong wire is taped, the SBC I-D may read the wrong information or vehicle damage or fire may occur.
- "Blitz" is not responsible for any damages caused to the vehicle by installation of this product.
- Please remove the battery prior to installation. If the battery is connected a short circuit may occur.
- This part is subject to change without notice.
- Please keep this manual after the installation is complete.

#### **PARTS LIST**



# **BLITZ**

Blitz Global Network  
Authorized Distributor (North America)

Options Auto Salon  
985 North Todd Avenue  
Azusa, CA 91702

Tel: (626) 839-8350  
Fax: (626) 812-7221

[www.blitzpowerusa.com](http://www.blitzpowerusa.com)

Warning-All images and text in this manual is the property of BLITZ Co.,Ltd. (Japan). No part of this may be reproduced, stored in retrieval systems, or transmitted in any form or means without prior written premission of BLITZ Co.,Ltd. (Japan)

The Optional Harness is not included with SBC iD

### 1. Explanation of the harness

The harness consists of 3 signal conductors and 1 ground wire.

**BROWN** wire is used for input DATA 1

**YELLOW** wire is used for input DATA 2

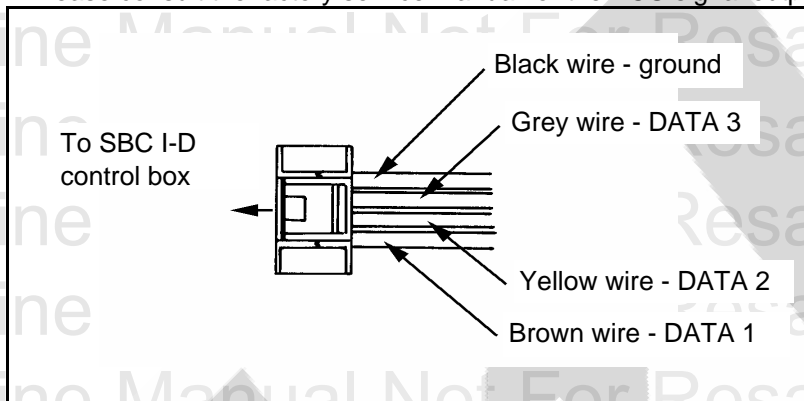
**GRAY** wire is used for input DATA 3

**BLACK** wire is used for ground.

### 2. Installation

The SBC I-D can read voltage between 0-16 volts. The numeric voltage reading can be displayed on DATA 1, 2, 3. The data can be obtained from the ECU output or additional sensor outputs such as the "Blitz" Air Fuel analyzer. You may connect the yellow, brown, or gray data wires to the output signals with the splice or the wire tap set. Use the ground eyelet for the black ground wire.

\* Please consult the factory service manual for the ECU signal output.



### 3. EXAMPLES of some vehicle readings

[ water temp. ]	LOW ( V )	1.20
	FIT	80.00
	HIGH ( V )	3.50
	FIT	20.00

[ intake air temp ]	LOW ( V )	0.50
	FIT	0.00
	HIGH ( V )	3.40
	FIT	80.00

[ throttle ]	LOW ( V )	0.50
	FIT	0.00
	HIGH ( V )	4.20
	FIT	100

[ air flow ]	LOW ( V )	0.20
	FIT	0.00
	HIGH ( V )	4.50
	FIT	16.00

Here are some examples of the Blitz Air Fuel Analyzer readings. The Blitz A/F Analyzer is an optional 5 wire wide band O2 unit used for tuning vehicle air fuel mixtures.

#### 0-5 ( V ) Lambda Readings

LOW ( V )	2.50
FIT	8.00
HIGH ( V )	5.00
FIT	16.00

#### 0-16 ( V ) Air Fuel Ratio Readings

LOW ( V )	0.00
FIT	0.00
HIGH ( V )	16.00
FIT	16.00